

# POWERED FLEX CONVEYOR



**CONVEYX**  
SOLUTIONS, LLC

Company \_\_\_\_\_ Date \_\_\_\_\_  
Contact \_\_\_\_\_ Quote Due \_\_\_\_\_ Desired Delivery \_\_\_\_\_  
Phone No. \_\_\_\_\_ Contact Email \_\_\_\_\_ State \_\_\_\_\_  
Sales Contact \_\_\_\_\_ Quote #: \_\_\_\_\_  
Quantity \_\_\_\_\_

## PRODUCT SPECS:

### Max:

Width (inches): \_\_\_\_\_ Length (inches): \_\_\_\_\_

Height (inches): \_\_\_\_\_ Weight (lbs): \_\_\_\_\_

### Min:

Width (inches): \_\_\_\_\_ Length (inches): \_\_\_\_\_

Height (inches): \_\_\_\_\_ Weight (lbs): \_\_\_\_\_

Description: \_\_\_\_\_

Max. Qty.: \_\_\_\_\_ Total Live Load: \_\_\_\_\_

Capacity Limitations (must meet all three)

15 lbs/roller, 50 lbs/ft, 100 lbs/zone

## Roller Specs:

1.4" roller diameter, 18 ga.

1.9" roller diameter, 16 ga.

## Application Type:

Transportation

Loading

Accumulation

Unloading

Both

## Conveyor Construction:

Between Frame (BF):  18"  24"  30"  36"

Expanded Roller Centers:  3"  4"  5"

Expanded Length:  25'  40'  50'  60'  80'

\*Note: custom lengths are available, consult factory

Casters:  5"  6"  8"

## Height:

30" TOR, +/- 4" adjustment

34" TOR, +/- 4" adjustment

\_\_\_\_\_

## Speed:

Variable \_\_\_\_\_ to \_\_\_\_\_ FPM

## Options:

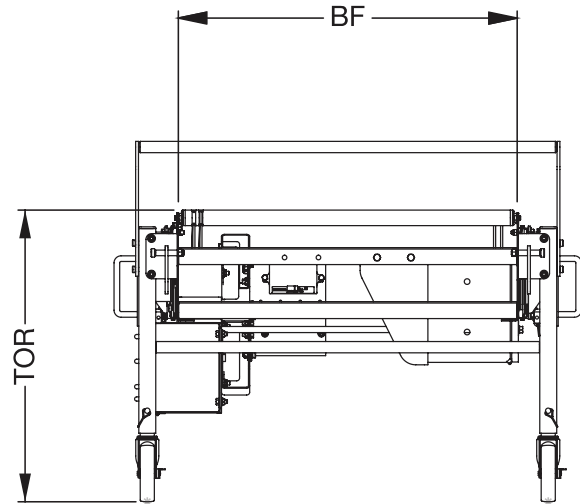
Flexible Side Guides

Interface Kit

Reversing Stop

Stopping Photo-eye

Approval Drawing Required:  Yes  No



## Impact Cart:

Integrated

Powered

Stand Alone

Gravity

1.9" roller diameter, 16 ga.

2.5" roller diameter, 10 ga.

## Notes:

-----  
-----  
-----  
-----